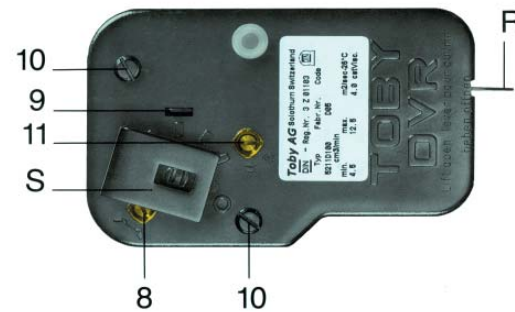
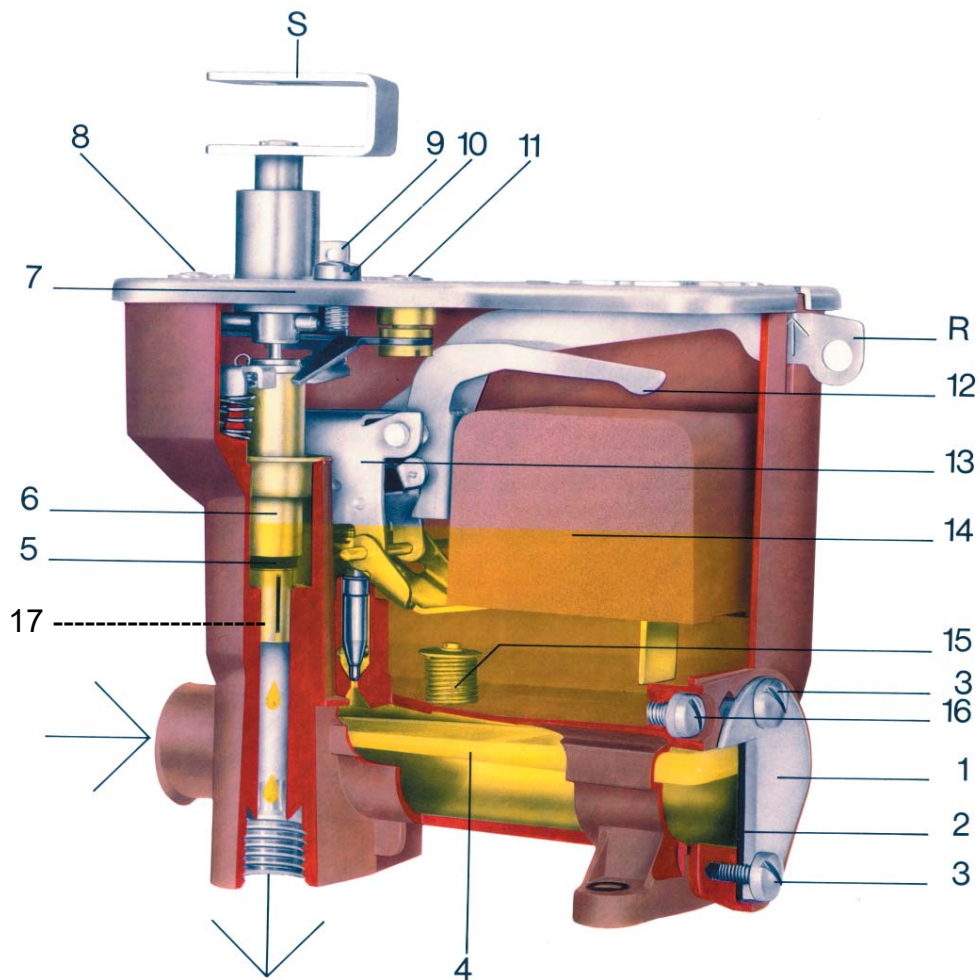


Toby DVR 5...



- | | |
|-------------------------------|-------------------------------|
| 1 Filter cover | 10 Fixing screw |
| 2 Filter washer | 11 Low flame adjustment screw |
| 3 Filter screw | 12 Safety cut-off lever |
| 4 Filter | 13 Float assembly |
| 5 Washer | 14 Microcell float |
| 6 Metering stem | 15 Overheating safety device |
| 7 Lid assembly | 16 Draining screw |
| 8 High flame adjustment screw | R Control lever |
| 9 Actuating pin | S Control knob |
| | 17 Slash in the valve |